

# PARTS BULLETIN

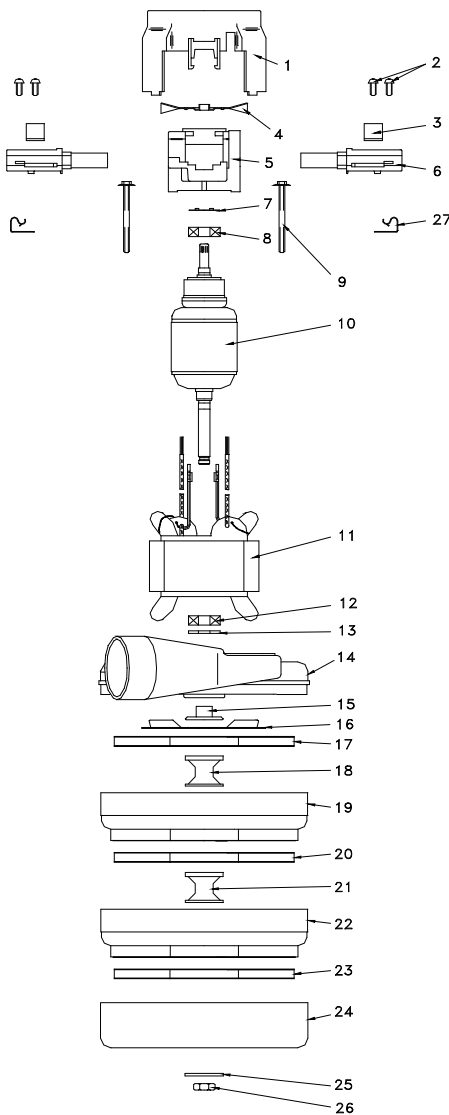
**AMETEK**  
LAMB ELECTRIC DIVISION

MODEL NO.  
**116565-13**

ISSUED: July 1993  
REVISED: June 2001

5.7"/145mm DIAMETER, 120V, 3-STAGE, BY-PASS, BALL/BALL, TANGENTIAL DISCHARGE, AIR SEAL AND EPOXY

## PARTS LIST



	<u>DESCRIPTION</u>	<u>REQUIRED</u>	<u>PART NO.</u>
1	HOUSING	1	60-3776-4
2	SCREW	4	50-7971
3	CLAMP	2	10-5477
4	FAN	1	0-3930-1
5	COMM END BRACKET	1	20-6581
6	BRUSH MECHANISM	2	33392-11
7	LOAD SPRING	1	10-3543
8	BALL BEARING	1	70-7613-2
9	SCREW	2	60-7952-6
10	ARMATURE	1	216565-00
11	FIELD	1	315729
12	BALL BEARING	1	70-7619-2
13	NEOPRENE WASHER	1	10-2481
14	FAN END BRACKET	1	20-6833
15	SPACER	1	30-2942
16	FAN	1	0-3939-1
17	ROTATING FAN	1	31120-4
18	SPACER	1	10-2977-1
19	STATIONARY FAN	1	31278-1
20	ROTATING FAN	1	31120
21	SPACER	1	30-2943
22	STATIONARY FAN	1	31373
23	ROTATING FAN	1	31120
24	FAN SHELL	1	60-3727-10
25	WASHER	1	40-2207
26	NUT	1	7491
27	CLIP	2	20-5110

*PART SUBJECT TO CHANGE WITHOUT NOTICE.*

*THIS INFORMATION IS FOR PART IDENTITY ONLY,  
IT IS NOT TO BE USED AS DISASSEMBLY OR  
ASSEMBLY INSTRUCTIONS.*

*REPLACEMENT OF ARMATURE OR FIELD REQUIRES  
THE REPLACEMENT OF BRUSH MECHANISM.*

AMETEK/LAMB ELECTRIC DIVISION  
627 LAKE STREET, KENT, OHIO 44240  
TELEPHONE: (330) 673-3451; FAX: (330) 673-8994